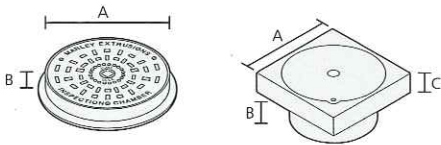


Product information

Description	Code
-------------	------

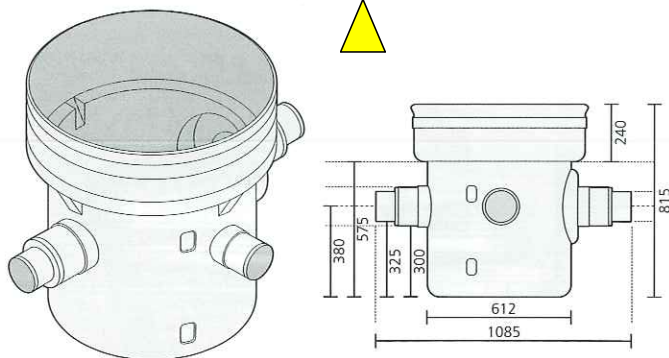
250mm Inspection cover and frame – circular UCL2
 250mm Inspection cover and frame – square UCL3



Size mm		A	B	C	Colour
250	UCL2	280	70	–	Black
250	UCL3	318	78	20	Black

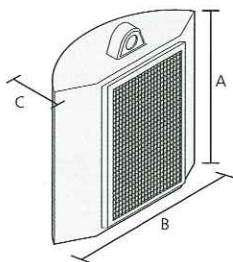
For use with UG60 silt trap

Silt trap USW30



Size mm	Colour
600	Black

Inlet filter USW29



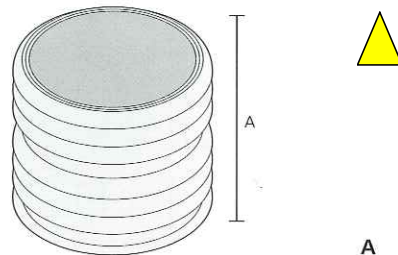
Size mm	A	B	C	Colour
	500	500	230	Black/stainless

With lifting chain

For use with USW30 silt trap

Description	Code
-------------	------

Riser kit x 1m USW301
 Riser kit x 2m USW32
 Riser kit x 3m USW33

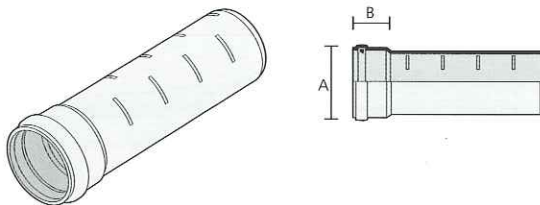


Size mm	A	Colour
600	1000	Black
600	2000	Black
600	3000	Black

Supplied with clamp and seal set

Perforated pipe UPP406

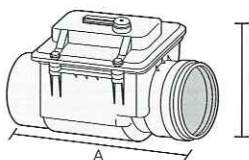
USH16
 USH26
 USH36



Size mm	Code	A	B	Colour
110	UPP406	128	70	Orange
150	USH16	175	90	Orange
225	USH26	275	125	Orange
300	USH36	340	110	Orange

*As shown in picture above

Non return valve USW120



Size mm	Code	A	B	Colour
110	USW120	307	230	Orange